



elap

MEM-Bus



**MULTITURN & SINGLETURN ABSOLUTE ENCODERS WITH FIELDBUS INTERFACE**

- Singleturn and Multiturn Absolute Encoders
- CANopen or Profibus DP V0 Fieldbus
- High resolution
- Several mechanical versions available
- Strong and reliable

**MECHANICAL & ENVIRONMENTAL SPECIFICATIONS**

TYPE	MEM520-Bus	MEM540-Bus	MEM620-Bus	MEM410-Bus
	Ø.58 mm round flanged – servo coupling SIZE23	Ø.58 mm round flanged Ø 36 mm centering mask	mm63.5x63.5 square flanged SIZE25	Hollow shaft for motor coupling
• Weight	500 g ca.			
• Materials: case	aluminium			
• Shaft	stainless steel			
• Shaft diameter/Joint hole	6, 8, 10 mm			hole Ø 8, 10, 12, 14, 15 mm
• Revolutions/minute	6000			
• Starting torque	≤0.8Ncm			
• Inertia	≤25g cm <sup>2</sup>			
• Max load	80 N axial / 100 N radial			
• Resistenza all'urto (11 ms)	50 G			
• Vibration resistance (10÷2000 Hz)	100 m/s <sup>2</sup>			
• Protection degree	IP65			
• Operating temperature	-30 ÷ +70°C			
• Stocking temperature	-30 ÷ +85°C			

**ELECTRICAL & OPERATING SPECIFICATIONS**

• Operating principle	magnetic
• Resolution/revolution	8192 step/rev. – 13 bit
• Revolutions no. (multiturn)	65536/16 bit
• Initializing time	< 1 s
• Data memory	>21 years power off*
• Fieldbus Interface	CANopen, Profibus DP V0
• Supply	5 ÷ 28 Vdc Protection against polarity reversal
• Consumption	2 W
• Accuracy	± ½ LSB
• Connection outlet	3 cable glands or 2 cable glands
• Interference immunity	EN 61000-6-2
• Emitted interference	EN 61000-6-4

\*Stopped shaft

**SETTABLE PARAMETERS**

- Steps/revolution
- Revolutions number
- Preset no.
- Rotation direction

**DIAGNOSTIC FUNCTIONS**

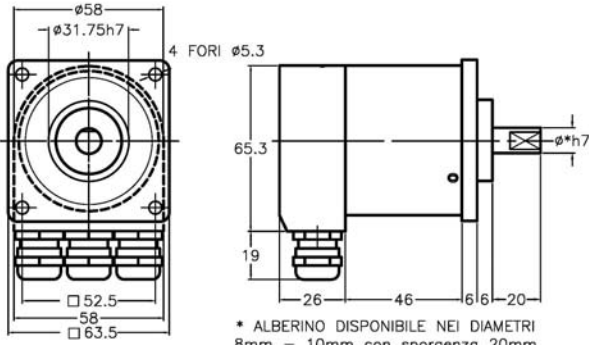
- Position or parameter error
- Battery alarm

**INDICATORI DI STATO**

- 3 signalling LEDs for
- Supply
- Linea
- Error (CANopen)

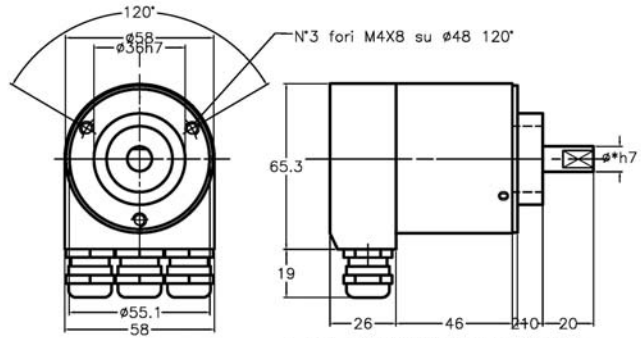
elap

MEM620Bus



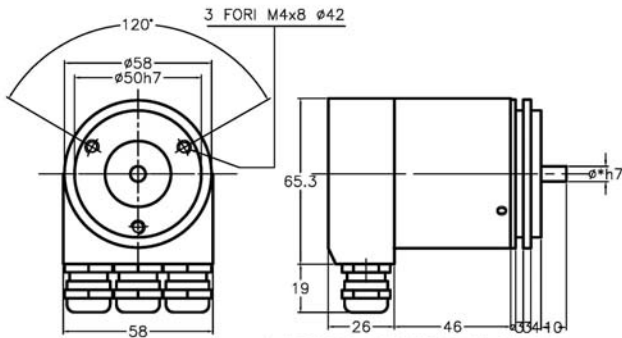
\* ALBERINO DISPONIBILE NEI DIAMETRI  
8mm - 10mm con sporgenza 20mm  
6mm con sporgenza 10mm

MEM540Bus



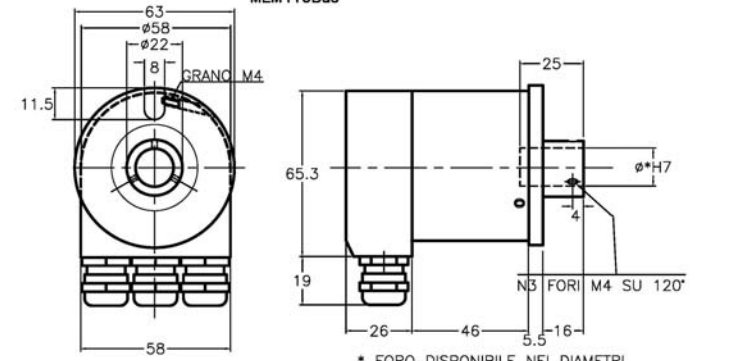
\* ALBERINO DISPONIBILE NEI DIAMETRI  
8mm - 10mm con sporgenza 20mm  
6mm con sporgenza 10mm

MEM520Bus



\* ALBERINO DISPONIBILE NEI DIAMETRI  
8mm - 10mm con sporgenza 20mm  
6mm con sporgenza 10mm

MEM410Bus



\* FORO DISPONIBILE NEI DIAMETRI  
8mm - 10mm - 12mm - 14mm - 15mm

MEM520

CAN

M

10

3P

**CONNECTIONS OUTLET**

3P = 3 cable glands  
2P = 2 cable glands

**SHAFT DIAMETER/JOINT HOLE**

6 - 8 - 10 - 12 - 14 - 15 mm

**REVOLUTIONS NO**

M = Multiturn  
S = Singleturn

**FIELD BUS INTERFACE**

CAN= CANopen  
PDP V0= Profibus DP V0

**TYPE**

**MEM520-Bus** = 58 mm diameter found flange  
**MEM540-Bus** = 58 mm diameter found flange  
**MEM620-Bus** = 63.5x63.5 mm square flange  
**MEM410-Bus** = Hollow shaft for motor coupling