



INCREMENTAL ENCODERS Series REC

elap

ROTARY INCREMENTAL




REC620



REC520



REC540

- Compact-sized encoders
- Aluminium housing

- Pulses per revolution: 2 to 12500
- Connections by M12 connector

MECHANICAL VERSIONS

REC520	REC540	REC620	REC440	REC450
Round flange Ø 58 mm	Round flange Ø 58 mm	Square flange 63.5x63.5 mm	Hollow shaft Ø 8, 10, 12, 14, 15 mm	Hollow shaft Ø 8, 10, 12, 14, 15 mm
Servo coupling	Centering mask Ø 36 mm	mm	Antirotational fixing	Fixing by elastic support
Centering mask Ø 50 mm	Shaft Ø 6, 8, 9.52, 10mm	Centering mask Ø 31.75 mm		
Shaft Ø 6, 8, 9.52, 10mm	<i>CLAMPING FLANGE</i>	Shaft Ø 6, 8, 9.52, 10 mm		
<i>SYNCHRO FLANGE</i>				

MECHANICAL & ENVIRONMENTAL SPECIFICATIONS

REC520/540/620 REC440/450

• Materials: housing shaft	Aluminium Steel AISI 303
• Weight	210 g circa
• Shaft/Hollow shaft Ø mm	10, 9,52, 8, 6 8, 10, 12, 14, 15
• Revolutions/minute	6000 continuous/10000 temporary
• Starting torque	≤0,8 Ncm
• Inertia	≤25 g cm ²
• Max load	80 N axial/100 N radial
• Vibration resistance (10÷2000 Hz)	100 m/sec ²
• Shock resistance (11 ms)	50 G
• Protection degree	IP65
• Operating temperature	-10 ÷ 70°C
• Ambient temperature	80°C max
• Stocking temperature	-20 ÷ 80°C

ELECTRICAL & OPERATING SPECIFICATIONS

• Pulse code	Incremental
• Pulses/revolution	2 ÷ 12500
• Zero pulse	One pulse/revolution (REC521/541/621/REC441/451)
• Output signals	Two square waves 90° ±15° out of phase – Zero pulse width: 90°±15°
• Electronic output	push-pull, line driver 5Vdc or 5/30Vdc signals protected against short circuits
• Supply voltage	5/30Vdc protection against polarity reversal
• Absorption	30÷80 mA max
• Max. frequency	100 KHz/200 HKz for ppr>1250
• Connections	5-pin M12 radial plug connector 8-pin connector for line driver output Optional: tap connector with cable

ENCODERS SERIES REC



REC450



REC440



INDUSTRIAL CONTROL EQUIPMENT
CERTIFICATE NO.E510647

CONNECTIONS

Push Pull
SIGNALS

5-pin connector

Line Driver
SIGNALS

8-pin connector

Out 1	pin 2	Out 1	pin 1
Out 2	pin 4	Out 2	pin 3
Out Z (types with 0)	pin 5	Out Z (types with 0)	pin 5
+ Vdc	pin 1	+ Vdc	pin 8
0V	pin 3	0V	pin 7
		Out 1	pin 2
		Out 2	pin 4
		Out Z (types with 0)	pin 6

ORDERING INFORMATION

REC520	-	100	5/30	R	10	PP
						OUTPUT SIGNALS PP Push-pull LD Line-driver LD5V Line driver 5 Vdc
						SHAFT/HOLLOW SHAFT Ø Shaft 6 – 8 – 9.52 – 10 mm Hollow shaft 8 – 10 – 12 – 14
						CONNECTION POSITION R radial
						SUPPLY VOLTAGE 5/30 Vdc
						PULSES/REVOLUTION 2-12500
						CONNECTION TYPE - Connector M12

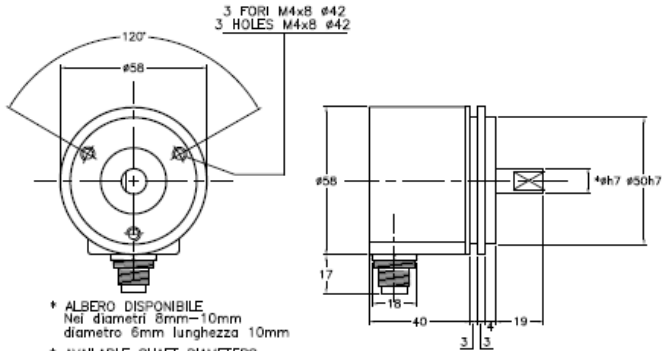
Type

- REC520 Round flange, mask 50 mm
- REC540 Round flange, mask 36 mm
- REC620 Square flange
- REC440 Hollow shaft
- REC450 Hollow shaft and elastic support

ELAP si riserva il diritto di apportare modifiche migliorative al prodotto senza notifica

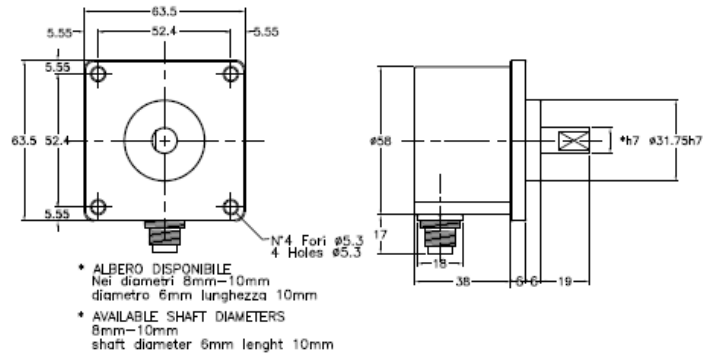
DIMENSIONS

REC520 uscita connettore M12
REC520 M12 connector outlet



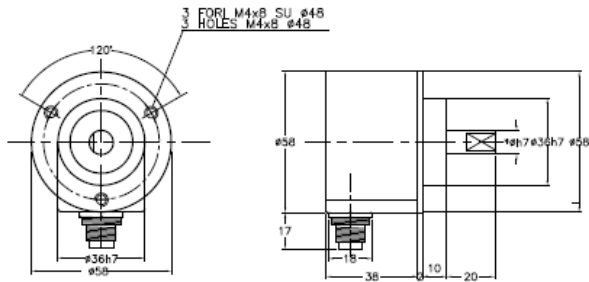
- * ALBERO DISPONIBILE
Nei diametri 8mm-10mm
diametro 6mm lunghezza 10mm
- * AVAILABLE SHAFT DIAMETERS
8mm-10mm
shaft diameter 6mm length 10mm

REC620 uscita connettore M12
REC620 M12 connector outlet



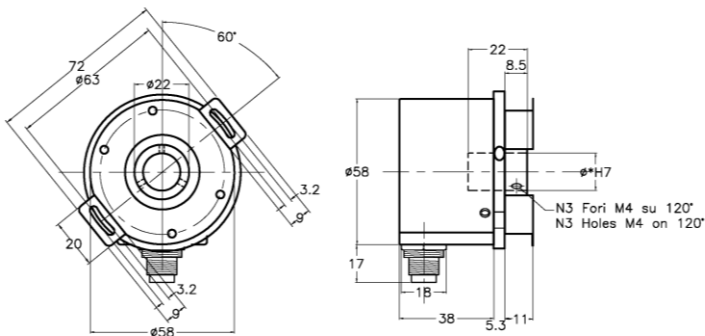
- * ALBERO DISPONIBILE
Nei diametri 8mm-10mm
diametro 6mm lunghezza 10mm
- * AVAILABLE SHAFT DIAMETERS
8mm-10mm
shaft diameter 6mm length 10mm

REC540 uscita connettore M12
REC540 M12 connector outlet



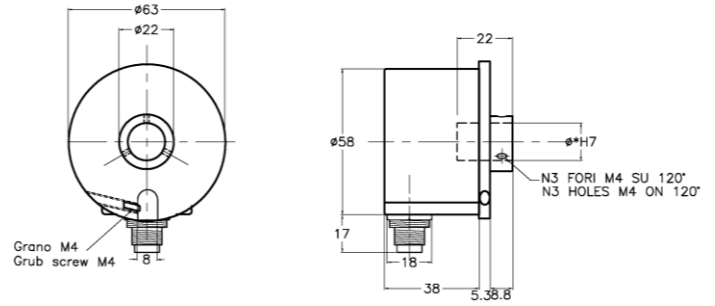
- * ALBERINO DISPONIBILE
Nei diametri 8mm-10mm
diametro 6mm lunghezza 10mm
- * AVAILABLE SHAFT DIAMETERS
8mm-10mm
shaft diameter 6mm length 10mm

REC450 uscita connettore M12
REC450 M12 connector outlet



- * FORO DISPONIBILE nei diametri
8mm-10mm-12mm-14mm-15mm
- * AVAILABLE HOLE DIAMETERS
8mm-10mm-12mm-14mm-15mm

REC440 uscita connettore M12
REC440 M12 connector outlet



- * FORO DISPONIBILE nei diametri
8mm-10mm-12mm-14mm-15mm
- * AVAILABLE HOLE DIAMETERS
8mm-10mm-12mm-14mm-15mm

Rif M1483V

Rif. M1540

REFERENCES

Further information at:

<https://www.elap.it/incremental-encoders/encoder-rec/>



elap

ELAP VIA VITTORIO VENETO, 4 • I-20094 CORSICO (MI) • TEL. +39.02.451956
FAX +39.02.45103406 • E-MAIL INFO@ELAP.IT • SITE WWW.ELAP.IT