



SS2 Series
Mini joystick



Features

- Compact design
- 2, 4, or 8 position switch
- Standard IP67 above panel

Applications

- Light industrial equipment

Description

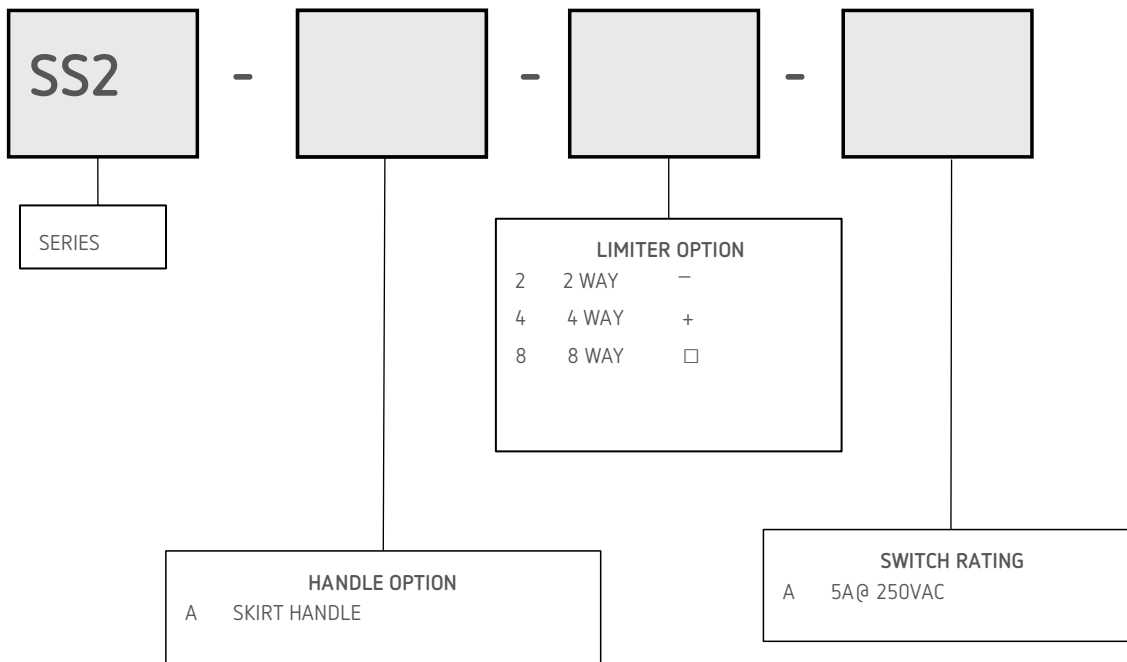
The SS2 is a compact, single pole limit switch joystick for less demanding industrial applications. It can be supplied with a 2, 4, or 8 switching positions and it has standard IP67 seal above panel. Its compact size makes the SS2 joystick ideal for applications where space is limited.

Specification

MECHANICAL (X & Y AXIS)	
Angle Of Movement	24° (12° Each Direction)
Expected Life Cycles	1 million
Centering	Spring Return
Switch mechanism	Snap action
Limiter options	2 (-), 4 (+) or 8 (□)
Max. Vertical load	356 N (80 lbf)
Max. Horizontal load	98 N (22 lbf*)
* Measured 38.10 mm (1.50") Above Panel Surface	
ELECTRICAL	
Number of switches	2, 4 or 8
Switch function	momentary
Nominal current	see options (5A standard)
Maximum voltage	250VAC
Contact material	silver
Electrical contact life	dependent on load (50k min.)
ENVIRONMENTAL	
Operating Temperature	-23°C TO 85°C (-10°F TO 185°F)
Storage Temperature	-40°F TO 85°C (-40°F TO 185°F)
IP Sealing above Panel	IP67

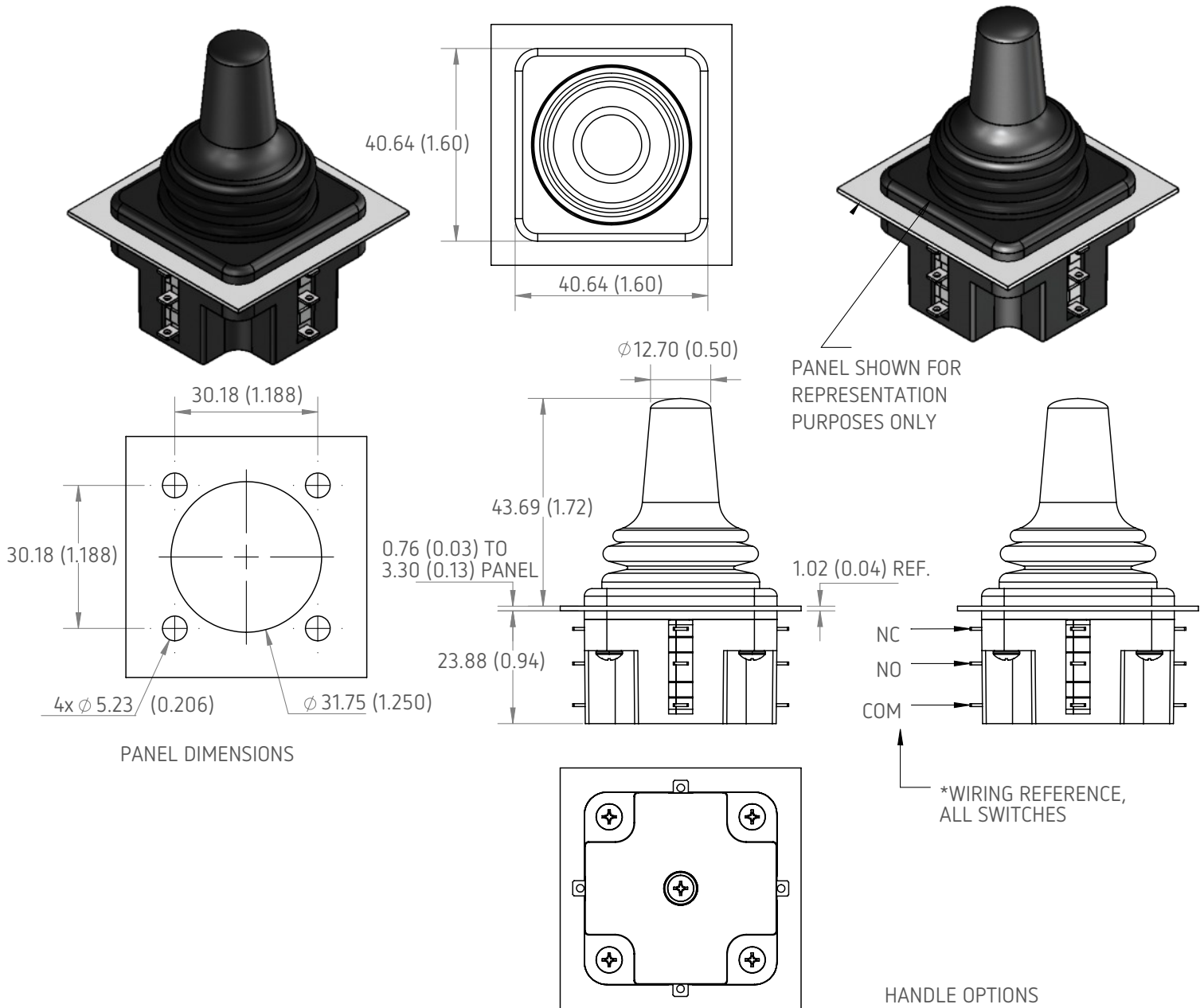
08_2019 | version 0001

■ Product Configuration Guide



Mounting Options

Dimensions in millimeters (inches).



DISTRIBUTED BY



VIA VITTORIO VENETO, 4 I-20094 CORSICO (MI) TEL. +39.02.4519561
FAX +39.02.45103406 E-MAIL INFO@ELAP.IT SITE WWW.ELAP.IT